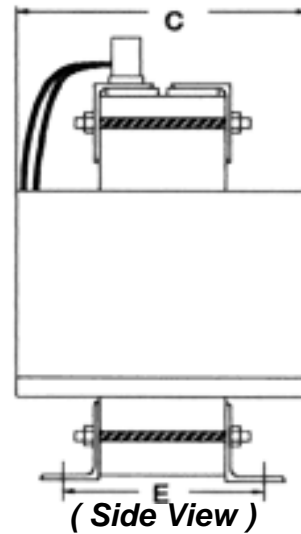
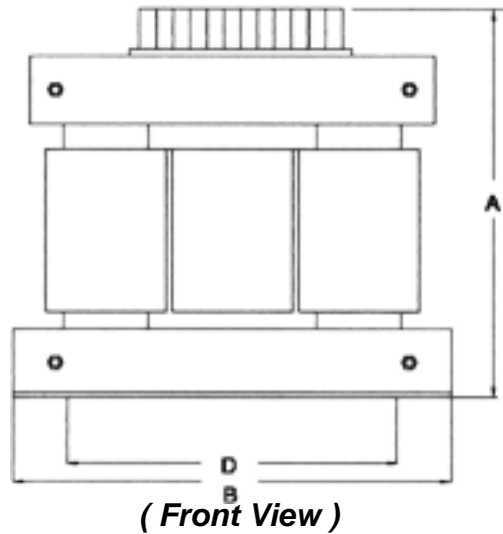


3 Phase Isolation Transformers



FEATURES:

- All units are 3 phase 60 Hz
- All units have 100% copper windings
- All units are designed to operate at 155 C rise
- All units incorporate class H insulation
- All units have touchproof terminals up to 40KVA
- All units have delta connected primaries and wye connected secondaries

OPTIONAL FEATURES:

- 50/60 Hz operation
- 230/460 or 240/480 dual primaries
- NEMA 1 ventilated enclosure floor mounted
- Faraday electrostatic shield
- Multi-Tap primary voltages
- Thermostat

Specifications

KVA	A	B	C	D	E	Approx. Weight
7.5	8.50	11.00	8.50	7.25	6.00	95 LBS.
11.0	11.00	14.50	7.50	8.00	4.75	125 LBS.
14.0	11.00	14.50	8.50	8.00	5.50	125 LBS.
20.0	13.00	15.50	9.50	10.00	5.50	225 LBS.
27.0	15.00	19.00	9.00	10.00	5.00	275 LBS.
34.0	15.00	19.00	12.00	10.00	5.50	275 LBS.
40.0	15.00	17.50	12.00	10.00	7.50	400 LBS.
51.0	15.00	20.50	14.00	10.00	7.50	450 LBS.
63.0	17.00	21.50	14.50	10.00	7.50	475 LBS.
75.0	17.00	21.50	16.00	14.00	7.50	575 LBS.
93.0	22.00	22.50	17.50	14.00	8.00	675 LBS.
118.0	20.00	26.00	16.00	14.00	8.00	780 LBS.
145.0	25.00	27.00	13.00	14.00	8.00	950 LBS.

3 Phase Isolation Transformers

175.0	25.00	30.00	16.00	14.00	10.00	1275 LBS.
220.0	26.00	30.00	16.00	14.00	10.00	1425 LBS.
275.0	28.00	34.00	20.00	14.00	14.00	1700 LBS.
330.0	31.00	37.00	22.00	14.00	14.00	2550 LBS.
440.0	40.00	40.00	22.00	14.00	14.00	3400 LBS.
550.0	42.00	40.00	22.00	14.00	14.00	3600 LBS.

©2004 Controlled Magnetics, Inc. 126 Summit St., Brighton, Michigan 48116

Voice:(810)844-0667 Fax:(810)844-0669 Info@controlledmagnetics.com

Best viewed with screen resolution 800x600